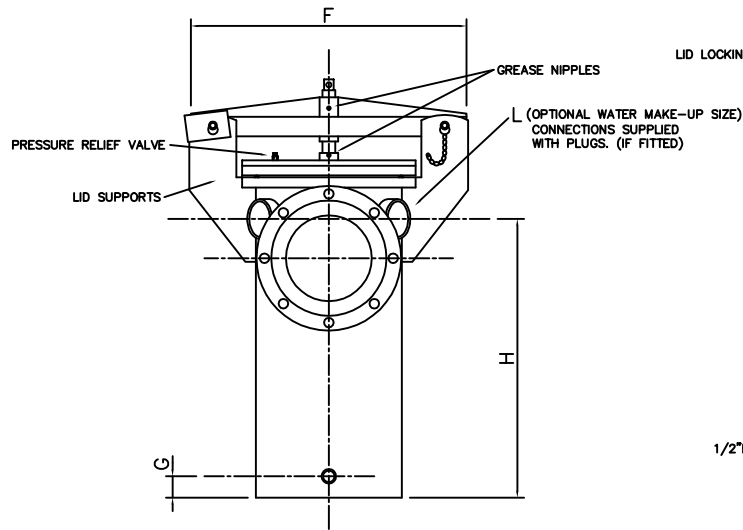
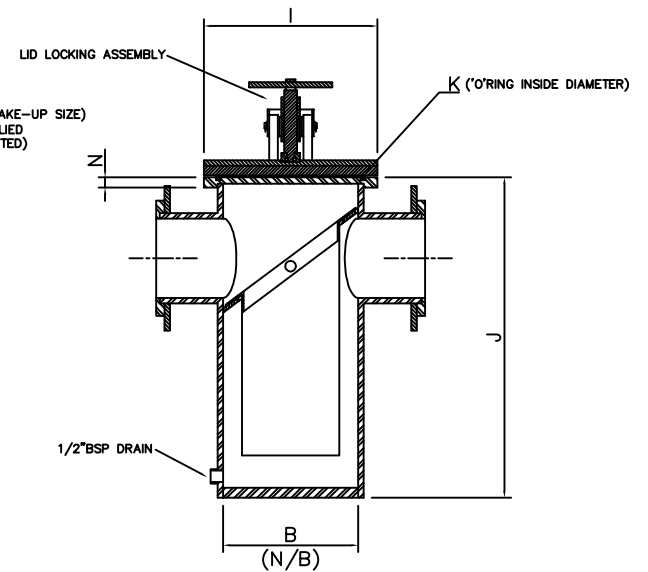


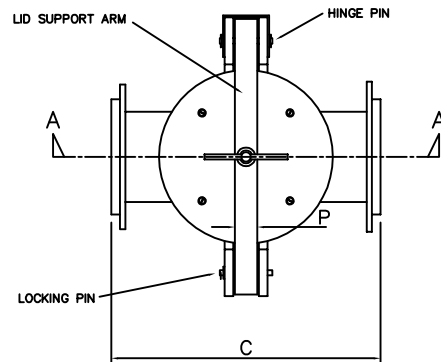
FRONT ELEVATION



SIDE ELEVATION



SECTION A-A



PLAN VIEW

	A	B	C	D	E	F	G	H	I	J	K	L	M	N	P
3x3	293	152	356	175	128	340	40	359	206	415	160	1 1/4"	36	18	30
4x4	293	152	356	175	160	340	40	359	206	415	160	1 1/4"	36	18	30
5x5	447	252	502	155	192	520	40	520	324	598	260	2"	55	18	40
6x6	447	252	502	155	215	520	40	520	324	598	260	2"	55	18	40
8x8	574	252	502	155	270	520	40	676	324	754	260	2"	55	18	40
10x10	610	298	508	230	329	570	40	738	375	833	320	2"	70	25	40
12x12	660	330	560	230	380	595	40	865	406	960	345	2"	80	25	50
14x14	710	380	650	230	438	650	40	930	457	1025	420	2"	95	25	50

GENERAL NOTES
 STRAINER BOX, BODY, ARMS AND FLANGES
 MANUFACTURED FROM 316 STAINLESS STEEL.
 LID BASE MANUFACTURED FROM GREY PVC-U.
 LID TOP PLATE AND LID SUPPORT ARM MANUFACTURED
 FROM 316 ST/STEEL PLATE.
 HINGE PIN, LOCKING PIN AND LID SPINDLE ASSEMBLY
 MANUFACTURED FROM 304 ST/STEEL.
 STAINLESS STEEL LEFT SELF COLOUR.
 'O'RING MANUFACTURED FROM E.P.D.M. RUBBER.
 SEE DRAWINGS EJG/D106-A1 AND EJG/D107-A1 FOR
 REFERENCE.
 MANUFACTURED BY E.J. GROUP Ltd.

CLIENT:			
DRN. BY:	CHKD. BY:	DATE:	SCALE:
M.H.	D.R.M.	09/05/98	1/5
ISS.	CHG.No.	BY:	DATE

EJ GROUP LIMITED / FABRICATION ENGINEERS
 Old Cement Works, South Helington,
 Newhaven, East Sussex, BN9 6NS.
 TELE 0273 515103/514719 FAX 0273 518865

GENERAL NOTES:
 DIM. IN mm.
 ANGLES DECIMAL,
 UNLESS OTHERWISE
 STATED.
 IF IN DOUBT,ASK

TITLE:
 STRAINER BOX -ST/ST
 GENERAL ASSEMBLY

DWG. No. EJ1030SS Iss. 01

THIS IS A COPYRIGHT DRAWING AND MAY NOT BE COPIED WITHOUT WRITTEN PERMISSION